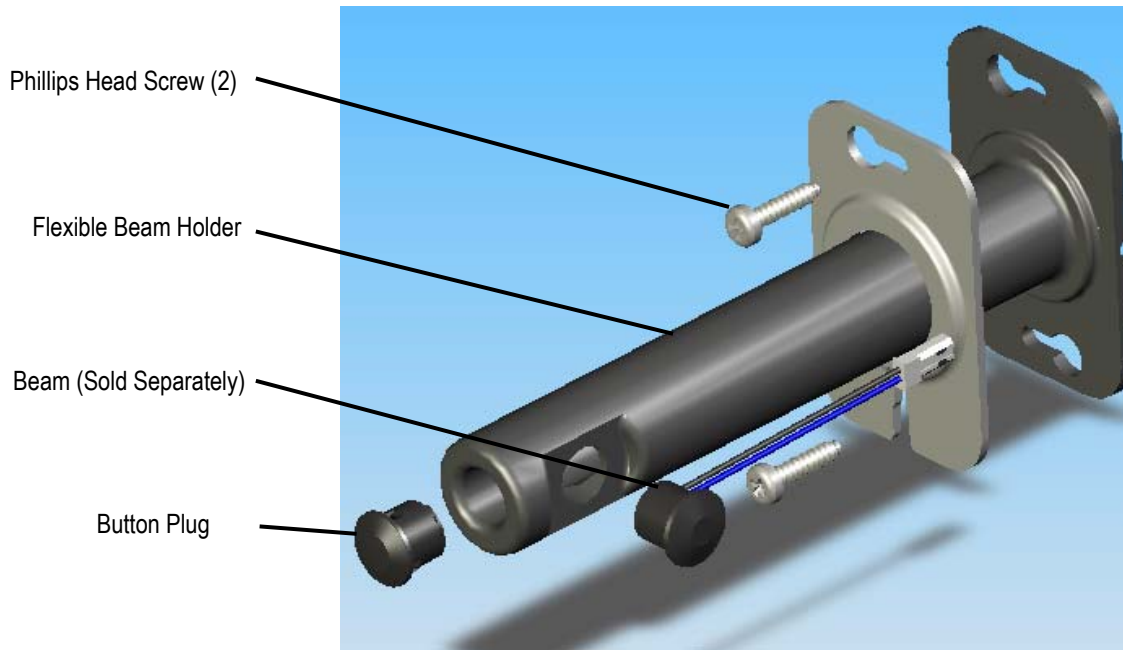


1 Description



2 Technical Specifications

Materials

Flexible Beam Holder	: Silicone
Mounting Bracket	: Galvanized Steel
Button Plug	: ABS or Lexan
Screws	: 18/8 Stainless Steel

Dimensions

- Overall Height : 6" (150 mm)
- Width of Bracket : 1.75" (45 mm)
- Height of Bracket : 2.75" (70mm)

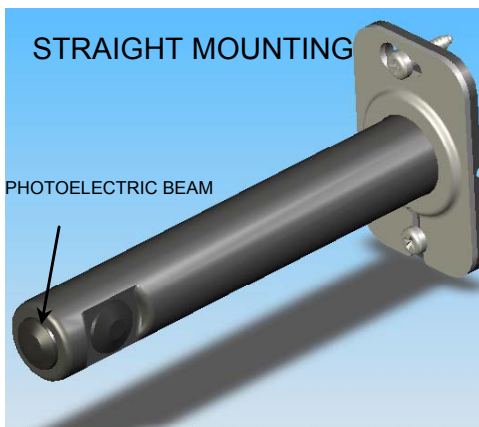
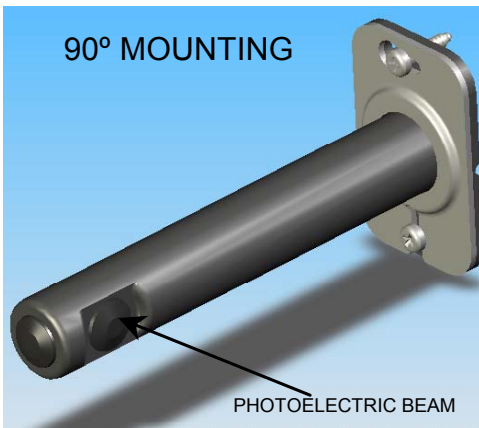
Operating Temperature	: -30° to +131°F
-----------------------	------------------

3 Installation

1 Mechanical Installation

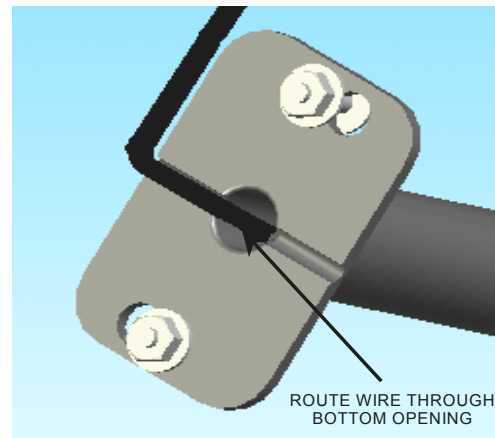
Mounting the control box

1. Choose the appropriate height for installation. This height depends on the type of application and should be done in accordance with all industry standards. They are to be mounted in pairs on either side of the opening and at the same height.
2. Determine the orientation of the mounting depending on the application. The bracket is designed to offset from the door or door opening for applications where there may be obstructions or the door protrudes from the opening.



Mounting the control box

3. Prepare Installation
 - a. Mount Microcell Control Box near or inside the door operator. Please refer to page 5 for electrical installation instructions.
 - b. Route Microcell Cables from the control box to the location where the beam bracket is to be mounted. Depending on the application, it may be necessary to drill an access hole and fish the cable through the doorframe. Route the cable into the mounting box.



- c. Pull Microcell Cable through the flexible beam and out the appropriate hole to make the wire connection.
- d. Attach the mounting box assembly to the mounting surface.
- e. Make sure that the beam openings are level and are in alignment with each another.
- f. Attach the beam to the wire using the 2-pin JST connector. Make sure to use one emitter and one receiver. They are identified as follows:

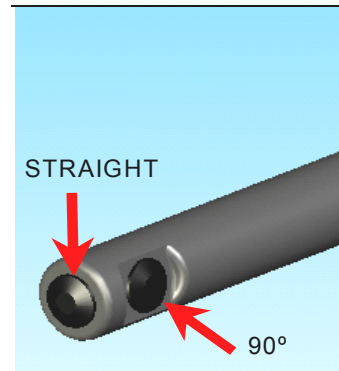


Emitter-
Gray and Blue

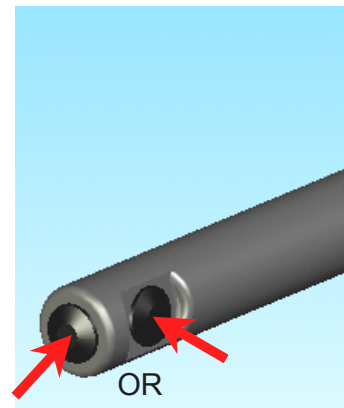


Receiver-
Black and Blue

- g. Feed the extra length of wire back into the flexible tube to allow the correct placement of the beam in the tube.



- h. Complete the installation by inserting the Microcell Plug in the unused hole of the flexible beam holder.



2

Electrical Installation

To complete electrical installation, please refer to the wiring instructions on the Microcell Safety Beam Manual (pn 75.0052).

4 Company Contact

If after troubleshooting a problem, a satisfactory solution cannot be achieved, please call B.E.A., Inc. for further assistance during Eastern Standard Time at **1-800-523-2462 from 7am - 5pm.**

For after-hours, call East Coast: 1-866-836-1863 or 1-800-407-4545 / Mid-West: 1-888-308-8843 /

West Coast: 1-866-721-8646. DO NOT leave any problem unresolved. If you must wait for the following workday to call B.E.A., leave the door inoperable until satisfactory repairs can be made.

NEVER sacrifice the safe operation of the automatic door or gate for an incomplete solution.