

1 Description

The Electromagnetic Lock (Maglife) series is a surface mounted magnetic lock assembly. It is a narrow profile model available in single and dual lock varieties and various sizes (force) designed for standard installation on most types of doors.



2 Specifications

DESCRIPTION		10MAGLIFELOCK8
Holding Force	(lbs)	1800
Input Voltage	(VDC)	12 to 24
Current Draw:	@ 12 VDC (amps)	0.80
	@ 24 VDC (amps)	0.40
Dimensions:	inches (mm)	11.22 x 2.87 x 1.77 (285 x 73 x 45)
Weight:	lbs (kg)	12.4 5.6
Material:	Lock Housing Armature / Strike Plate	Stainless Steel Zinc Plated Steel

3 Precautions



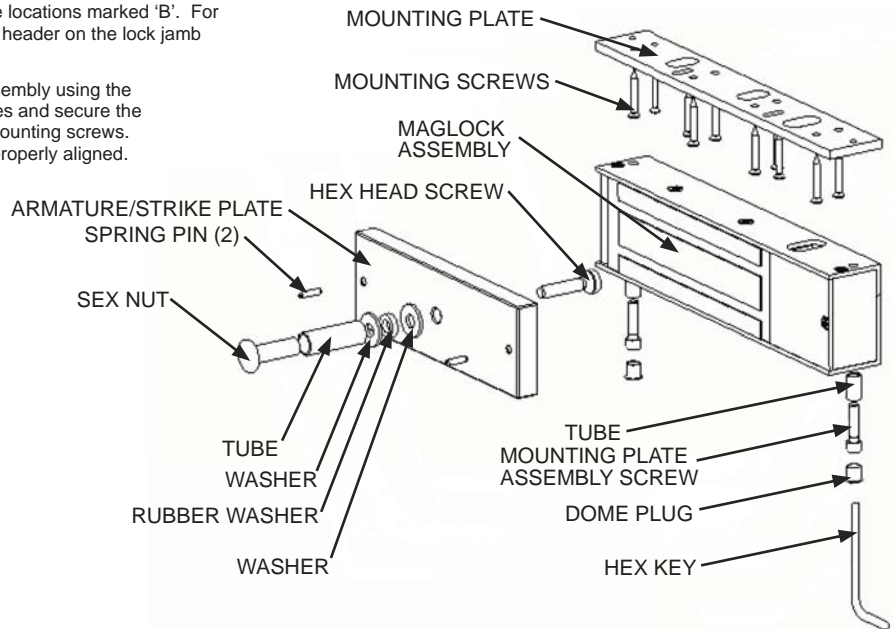
- Shut off all power going to header before attempting any wiring procedures.
- Maintain a clean & safe environment when working in public areas.
- Constantly be aware of pedestrian traffic around the door area.
- Always stop pedestrian traffic through the doorway when performing tests that may result in unexpected reactions by the door.
- Always check placement of all wiring before powering up to insure moving door parts will not catch any wires and cause damage to equipment.
- Ensure compliance with all applicable safety standards and building codes upon completion of installation.

4 Installation Tips

1. DO NOT touch the lock face with your hands.
2. Should the surface plating be damaged, use a soft, clean dry cloth or abrasive cloth to clean the lock face. DO NOT use sand paper. A rust inhibitor can be applied to the armature/strike plate and maglock assembly face.

5 Installation - Mechanical

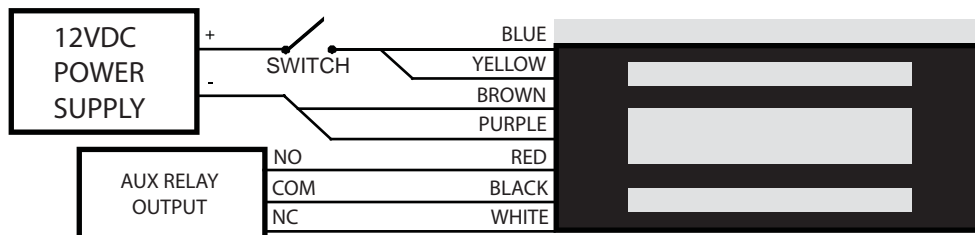
1. Inspect the frame header to determine if an angle bracket or filler plate is required.
2. Fold the enclosed mounting template on the dotted line and then mark and drill holes as indicated. Drill two 1/8" (3.1 mm) holes at the locations marked 'B'. For single doors, locate the template against the door and header on the lock jamb side of the frame.
3. Disassemble the mounting plate from the maglock assembly using the enclosed hex key. Insert 2 screws into the slotted holes and secure the mounting plate to the doorframe using two of the #8 mounting screws. Do not tighten these screws fully until the maglock is properly aligned.
4. Gently tap (2) 3/16" (5mm) spring pins into the rear side of the armature(s). Drill matching holes on the door to receive these pins.
5. Align armature/strike plate to magnet, and then drill a 5/8" (16mm) hole in door for sexnut and aluminum reinforcement tube for hollow doors. Using the M8 x 1.25 x 40mm hex head screw and enclosed hex key, mount armature to door using two metal and one rubber washers.
6. Continue to fasten mounting plate to heading using remaining screws. Then, reassemble maglock assembly to mounting plate.
7. Route the enclosed wiring harness through the rectangular hole in the mounting plate. Make the electrical connection as shown below.
8. Make sure that armature/strike plate can be shaken slightly. This will permit full armature contact and maximize holding force.



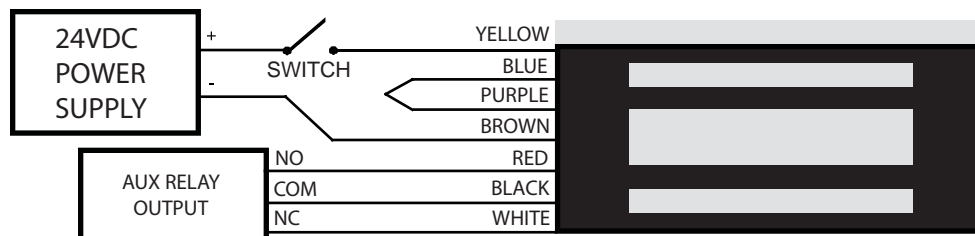
6 Installation - Electrical

1. The 10MAGLIFELOCK8 is equipped with an auxiliary relay output which can be used as a door position switch.

12 VDC



24 VDC



7 Company Contact



Do not leave problems unresolved. If a satisfactory solution cannot be achieved after troubleshooting a problem, please contact BEA Inc. If you must wait for the following workday to contact BEA, leave the door inoperable until satisfactory repairs can be made. Never sacrifice the safe operation of the automatic door or gate for an incomplete solution.

The following numbers can be called 24/7. For more information, visit www.beasensors.com.

US and Canada: 1-866-249-7937
 Canada: 1-866-836-1863
 Northeast: 1-866-836-1863

Southeast: 1-800-407-4545
 Midwest: 1-888-308-8843
 West: 1-888-419-2564